

# Product data sheet

## Characteristics

# MGM36800

Circuit Breaker, PowerPact M, electronic trip, unit mount, 800A, 3 pole, 18 kA, 600 VAC, lugs on end



Product availability: Stock - Normally stocked in distribution facility

Price\*: 9927.00 USD



### Main

|                           |                 |
|---------------------------|-----------------|
| Product or component type | Circuit breaker |
|---------------------------|-----------------|

### Complementary

|                           |  |
|---------------------------|--|
| Line Rated Current        | 800 A  |
| Poles description         | 3P   |
| Breaking capacity code    | G  |
| Magnetic tripping current | 1600...8000 A  |
| Electrical connection     | Lugs line<br>Terminal nut load   |
| Terminal identifier       | AL800M23K  |
| Tightening torque         | 442.54 Lbf.In (50 N.m) 0.15...0.37 in <sup>2</sup> (95...240 mm <sup>2</sup> ) (AWG 3/0...500 kcmil) |
| Height                    | 12.86 In (326.6 mm)  |
| Width                     | 0.32 In (8.06 mm)  |
| Depth                     | 8.27 In (210 mm)   |
| Continuous current rating | 80 %   |

### Ordering and shipping details

|                       |                                   |
|-----------------------|-----------------------------------|
| Category              | 01205 - MG, MJ UNIT MOUNT BREAKER |
| Discount Schedule     | DE2                               |
| GTIN                  | 00785901480396                    |
| Nbr. of units in pkg. | 1                                 |
| Package weight(Lbs)   | 28.16 Lb(US) (12.77 kg)           |
| Returnability         | Yes                               |
| Country of origin     | US                                |

## Packing Units

|                  |                      |
|------------------|----------------------|
| Package 1 Height | 10.50 In (26.670 cm) |
| Package 1 width  | 11.90 In (30.226 cm) |
| Package 1 Length | 18.20 In (46.228 cm) |

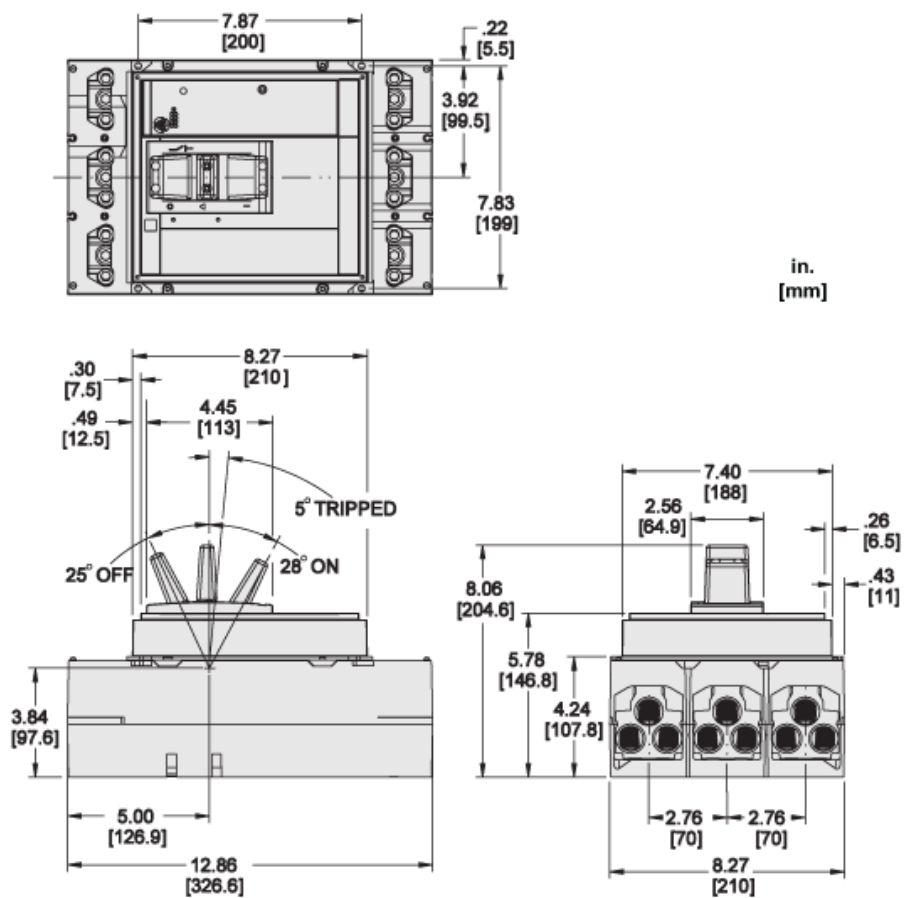
## Offer Sustainability

|                            |  |
|----------------------------|--|
| Sustainable offer status   | Green Premium product  |
| California proposition 65  | WARNING: This product can expose you to chemicals including: DIN-P, which is known to the State of California to cause cancer, and DID-P, which is known to the State of California to cause birth defects or other reproductive harm. For more information go to <a href="http://www.P65Warnings.ca.gov">www.P65Warnings.ca.gov</a> |
| REACH Regulation           | <a href="#">REACH Declaration</a>  |
| EU RoHS Directive          | Compliant <a href="#">EU RoHS Declaration</a>  |
| Mercury free               | Yes  |
| RoHS exemption information | <a href="#">Yes</a>  |
| China RoHS Regulation      | <a href="#">China RoHS Declaration</a>   |
| Environmental Disclosure   | <a href="#">Product Environmental Profile</a>  |
| Circularity Profile        | <a href="#">End Of Life Information</a>  |
| PVC free                   | Yes  |

## Contractual warranty

|          |           |
|----------|-----------|
| Warranty | 18 months |
|----------|-----------|

Approximate Dimensions



Product Life Status : Commercialised